

SHREDDER

DOUBLE SHAFT
HTS 1000

UNIVERSAL SHREDDER HTS1000

PAM

BALER · SORTING

planmakina.com.tr

SHREDDER

DOUBLE SHAFT HTS 1000

Descriptions

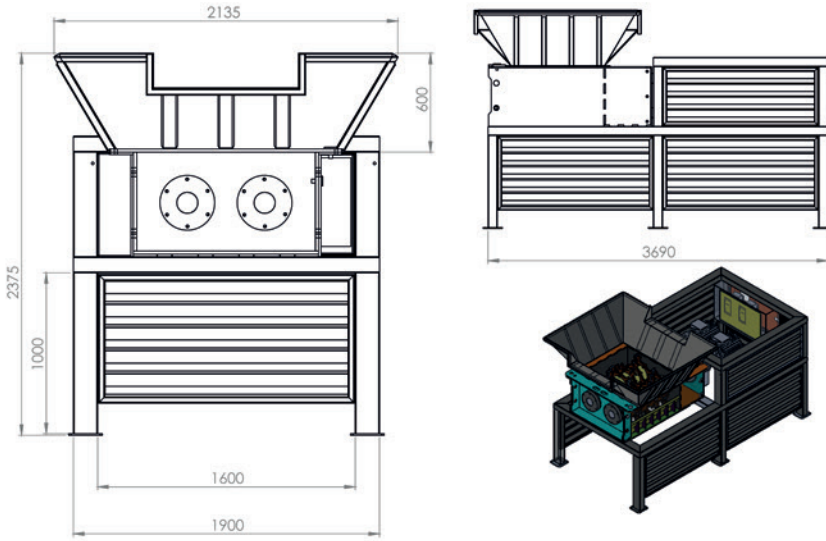
PAM manufacture two shaft, one shaft or three shaft shredder for different materials and for retro fits for shredding solution.

Different kind of material including bulky goods, wood, furniture, urban solid waste, MSW, agriculture and industrial waste, tyres, etc.. coming from different collections, agricultural solid waste, wood, plastic, tyres, etc... can be shred in to this universal two shaft shredder.

Our shredding machine can be Electro mechanic or Hydromechanics.
This depends on the types of materials and productivity.

Models

	WASTE REDUCER
	HTS 1000
Hopper Width	1800 x 1800 mm
Motor Power	2 x 37 kW, 2 x 45 kW, 2 x 55 kW (optional and changable with customer preference)
Number of Shaft	2
Drive System	Comes with Hydraulic or electric powered by option (If powered by hydraulic model is HTS1000H if powered by electric model name is HTS1000E)
Cutting Chamber	1100 x 1000 mm
Number of Gearbox	2
Gearbox Type	Epicycloidal
Number of Blade	~22
Blade Thickness	38 mm or 50 mm



Call us for technical drawing.





Head Office Address

29 Ekim Mah. Karakaya Sok. No:23 Torbalı / İzmir / Türkiye

Phone +90 (232) 853 96 23 • +90 (232) 853 96 24 • +90 (232) 853 96 25

Fax +90 (232) 853 96 26

Email info@planmakina.com.tr

Web www.planmakina.com.tr



SHREDDER

DOUBLE SHAFT
HTS 1400

PAM

— BALER · SORTING —

planmakina.com.tr

SHREDDER

DOUBLE SHAFT
HTS 1400

Descriptions

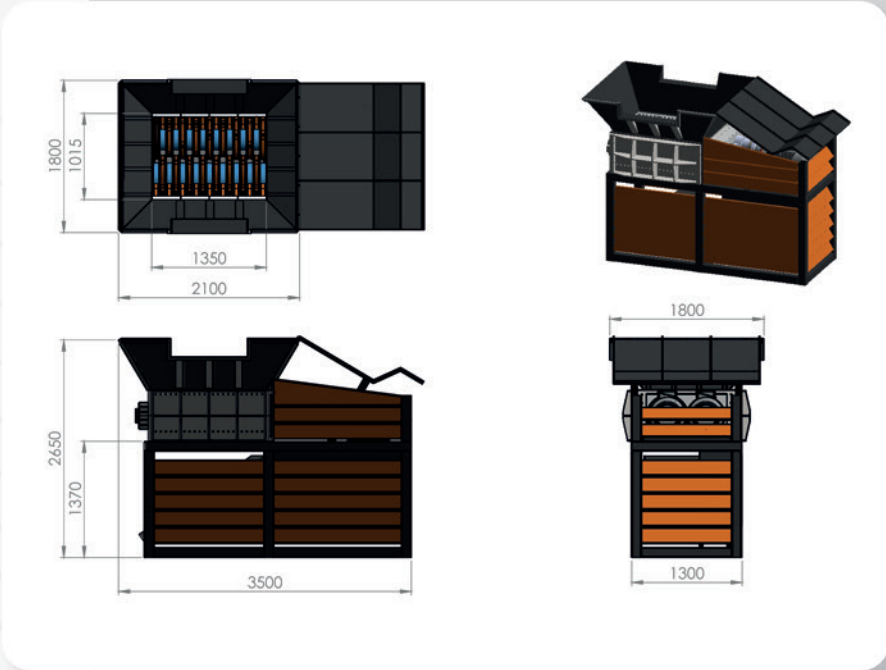
PAM manufacture two shaft, one shaft or three shaft shredder for different materials and for retro fits for shredding solution.

Different kind of material including bulky goods, wood, furniture, urban solid waste, MSW, agriculture and industrial waste, tyres, etc.. coming from different collections, agricultural solid waste, wood, plastic, tyres, etc... can be shred in to this universal two shaft shredder.

Our shredding machine can be Electro mechanic or Hydromechanics.
This depends on the types of materials and productivity.

Models

	WASTE REDUCER
	HTS 1400
Hopper Width	1800 x 2100 mm
Motor Power	2 x 45 kW, 2 x 55 kW, 2 x 75 kW (optional and changable with customer prefeence)
Number of Shaft	2
Drive System	Comes with Hydraulic or electric powered by option (If powered by hydraulic model is HTS1400H if powered by electric model name is HTS1400E)
Cutting Chamber	1100 x 1350 mm
Number of Gearbox	2
Gearbox Type	Epicycloidal
Number of Blade	~28
Blade Thickness	38 mm or 50 mm



 Call us for technical drawing.





Head Office Address

29 Ekim Mah. Karakaya Sok. No:23 Torbalı / İzmir / Türkiye

Phone +90 (232) 853 96 23 • +90 (232) 853 96 24 • +90 (232) 853 96 25

Fax +90 (232) 853 96 26

Email info@planmakina.com.tr

Web www.planmakina.com.tr

SHREDDER

**DOUBLE SHAFT
HTS 2000**

PAM

www.planmakina.com.tr

PAM

BALER · SORTING

planmakina.com.tr

SHREDDER

DOUBLE SHAFT HTS 2000

Descriptions

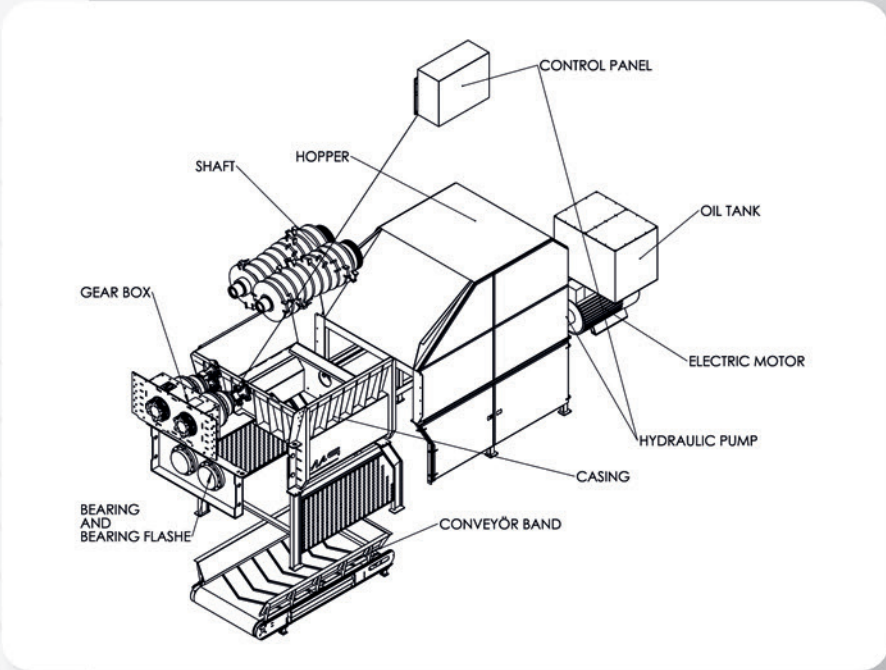
PAM manufacture two shaft, one shaft or three shaft shredder for different materials and for retro fits for shredding solution.

Different kind of material including bulky goods, wood, furniture, urban solid waste, MSW, agriculture and industrial waste, tyres, etc.. coming from different collections, agricultural solid waste, wood, plastic, tyres, etc... can be shred in to this universal two shaft shredder.

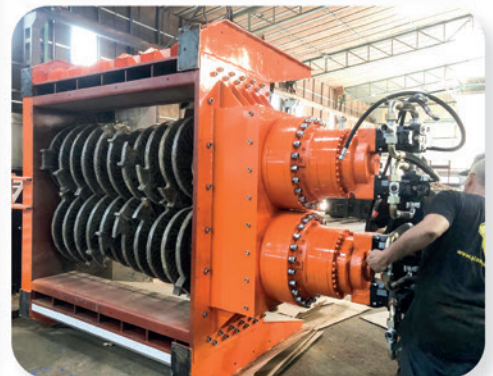
Our shredding machine can be Electro mechanic or Hydromechanics.
This depends on the types of materials and productivity.

Models

	WASTE REDUCER
	HTS 2000
Hopper Width	1800 x 2100 mm
Motor Power	1 x 160 kW, 1 x 180 kW, 1 x 200 kW (optional and changable with customer preference)
Number of Shaft	2
Drive System	Comes with Hydraulic or electric powered by option (If powered by hydraulic model is HTS2000H if powered by electric model name is HTS2000E)
Cutting Chamber	1100 x 2000 mm
Number of Gearbox	2
Gearbox Type	Epicycloidal
Number of Blade	~38
Blade Thickness	38 mm or 50 mm



 Call us for technical drawing.





Head Office Address

29 Ekim Mah. Karakaya Sok. No:23 Torbalı / İzmir / Türkiye

Phone +90 (232) 853 96 23 • +90 (232) 853 96 24 • +90 (232) 853 96 25

Fax +90 (232) 853 96 26

Email info@planmakina.com.tr

Web www.planmakina.com.tr

SHREDDER SINGLE SHAFT

PAM

BALER · SORTING

planmakina.com.tr

SHREDDER

SINGLE SHAFT

Descriptions

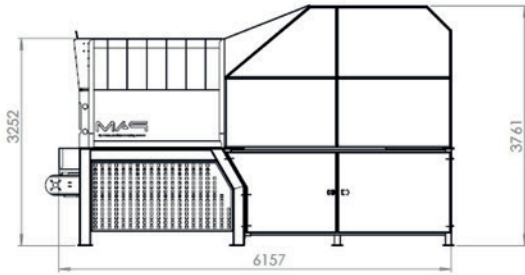
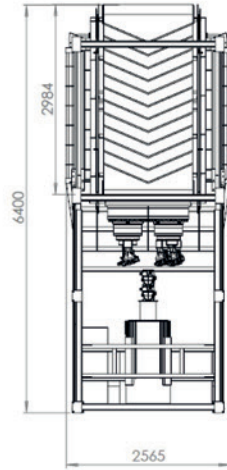
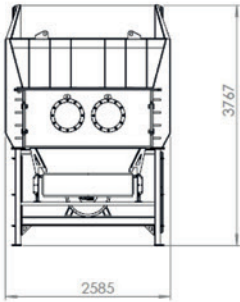
PAM manufacture two shaft, one shaft or three shaft shredder for different materials and for retro fits for shredding solution.

Different kind of material including bulky goods, wood, furniture, urban solid waste, MSW, agriculture and industrial waste, tyres, etc.. coming from different collections, agricultural solid waste, wood, plastic, tyres, etc... can be shred in to this universal two shaft shredder.

Our shredding machine can be Electro mechanic or Hydromechanics. This depends on the types of materials and productivity.

Models

	SINGLE SHAFT SHREDDER		
	CR 1000	CR 1500	CR 2000
Hopper Width	1400 x 1800 mm	1600 x 1850 mm	2200 x 1800 mm
Motor Power	1 x 30 kW 1 x 37 kW (optional and changable with customer preference)	1 x 45 kW 1 x 55 kW 1 x 75 kW (optional and changable with customer preference)	1 x 90 kW 1 x 110 kW 1 x 160 kW 1 x 185 kW 2 x 90 kW (optional and changable with customer preference)
Number of Shaft	1	1	1
Drive System	Electromechanical	Electromechanical	Electromechanical
Cutting Chamber	1000 x 1500 mm	1500 x 1500 mm	2000 x 1500 mm
Number of Gearbox	1	1	1
Gearbox Type	Epicycloidal	Epicycloidal	Epicycloidal
Number of Blade	~48	~72	~96
Blade Thickness	10~30 mm	10~30 mm	10~30 mm



Call us for technical drawing.



PAM

— BALER · SORTING —

Head Office Address

29 Ekim Mah. Karakaya Sok. No:23 Torbalı / İzmir / Türkiye

Phone +90 (232) 853 96 23 • +90 (232) 853 96 24 • +90 (232) 853 96 25

Fax +90 (232) 853 96 26

Email info@planmakina.com.tr

Web www.planmakina.com.tr